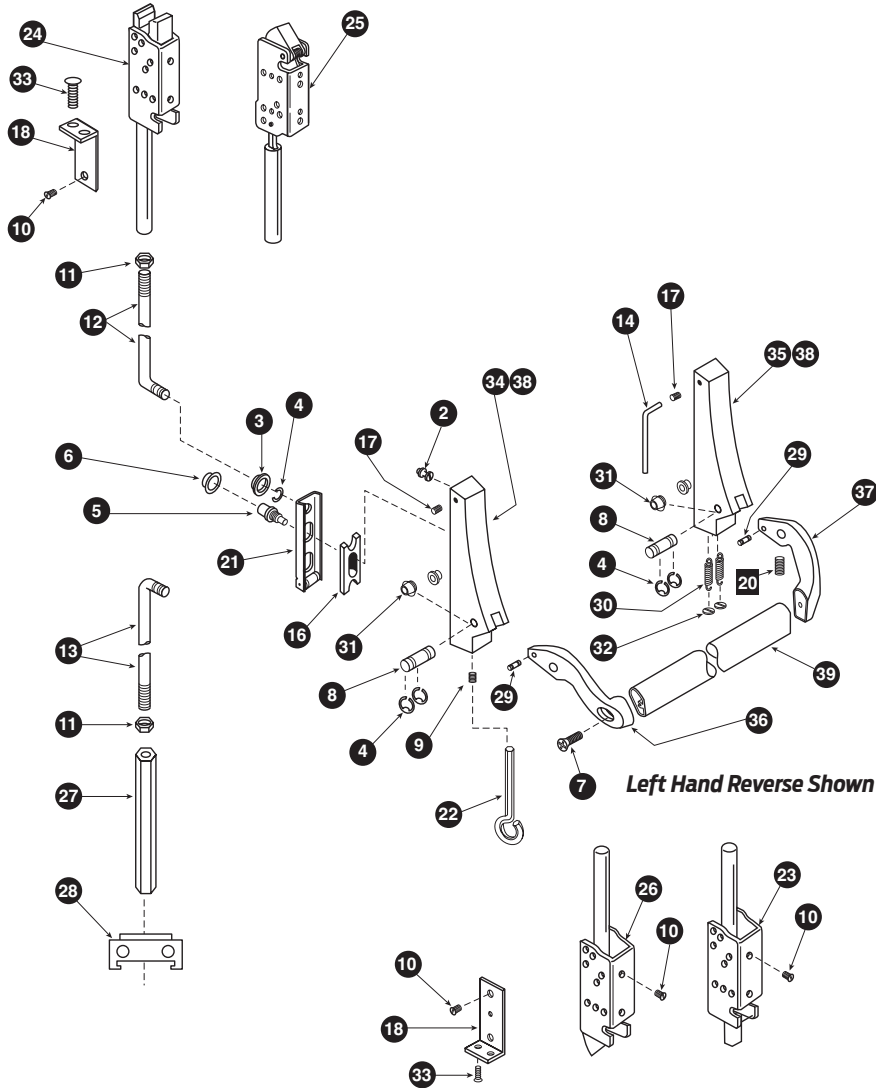


1990 Exploded View And Parts List

(For Devices Furnished After 5/1/77)



EXITS

Crossbars

Narrow Stile

1990 Series

Part No.	Description	Finish	Pkg. Qty
2	STUD.10 Case Mounting Stud	-	10
3	BUSH.109 Bearing Bushing	-	10
4	RRING.109 Retaining Ring .250	-	25
5	CAM.102 Pinion Cam	-	10
4270903177	Pinion Cam	-	each
6	BUSH.102 Cylinder Bushing	-	10
7	SCREW.1027 1/4-20 1" FPHTC Typ 23	US32D	10
	SCREW.1015 1/4-20 1" FPHTC Typ 23	BLACK	10
8	PIN.106 990 Axle Pin	US32D	10
	PIN.115 1990 Axle Pin	-	10
9	SCREW.1022 Dog Screw	-	25
10	SCREW.1028 10-32 1/4" UFPHMS	US32D	10
	SCREW.1029 10-32 1/4" UFPHMS	BLACK	10
18	1490 LHR/1590 RHR Push Label	GOLD	each

1990 Series

(For Devices Furnished After 5/1/77)

	Part No.	Description	Finish	Pkg. Qty
11	NUT.101	Rod Jam Nut	-	10
12	4270100017	SU/PL/ES/RL Rod	-	each
	4270102427	SU/PL/ES/RL Rod-1/4" Insulclad 7'	-	each
	4270102426	SU/PL/ES/RL Rod-1/4" Insulclad 8'	-	each
13	4270101825	Hex Bottom Rod	-	each
14	WRENCH.101	Allen Wrench	-	10
16	RETRACT.101	Rod Retractor	-	10
17	SCREW.1030	1/4-20 3/8" Hex Soc Set	US32D	25
	SCREW.1039	1/4-20 3/8" Hex Soc Set	BLACK	25
18	BRKTASY.101	Latch Mtg Bracket Kit-HMD	-	each
21	4270100013	Lift Bracket Assembly	-	each
22	KEY.101	Hex Dogging Key	-	10
23	● 4270100521	RL Bottom Latch	-	each
24	● 4270101806	SU Top Latch	-	each
25	● 4270100346	ES Top Latch	-	each
26	● 4270101482	PL Bottom Latch	-	each
27	4270101830	Hex Bottom Bolt	-	each
28	4270107176	Hex Rod Guide Assembly	US32D	each
	4270107178	Hex Rod Guide Assembly	P35	each
	SCREW.1076	Hex Rod Guide Screws	US28	10
	SCREW.1081	Hex Rod Guide Screws	DC13/DC35	10
	PIN.110	ES Latch Pin	-	10
	RETAIN.101	Case Retainer	-	10
	PIN.109	SU/ES/PL/HH Latch Spirol Pin	-	10
	4270100312	Crossbar Tie Rod	-	each
	RRING.103	End Case Retaining Ring	-	25
29	PIN.104	Spring Pin	-	10
30	SPRING.103	Tension Spring	-	10
31	BUSH.103	Axle Bushing	-	25
32	RETAIN.102	Spring Retainer	-	25
33	SCREW.1037	10-32 3/8" FPHMS	-	25
	● 4270106632	SU Top Rod Assembly 7' Dr	-	each
	● 4270106633	SU Top Rod Assembly 8' Dr	-	each
	● 4270101818	SU Top Rod Assembly 9' Dr	-	each
	● 4270101819	SU Top Rod Assembly 10' Dr	-	each
	● 4270101873	ES Top Rod Assembly 7' Dr	-	each
	4270101874	ES Top Rod Assembly 8' Dr	-	each
	● 4270100522	RL Bottom Rod Assembly	-	each
	4270101831	Hex Bottom Rod Assembly	-	each
	● 4270100266	PL Bottom Rod Assembly	-	each
	4270100018	SU Rod 8' Door	-	each
	4270100172	SU Ext Rod Kit Up to 9' Dr	-	each
	4270100197	SU Ext Rod Kit Up to 10' Dr	-	each

EXITS

Crossbars

Narrow Stile

1990 Series

1990 Series

(For Devices Furnished After 5/1/77)

34 End Case Assy LH

Part No.	Finish
LH = Lock Stile assembly for LHR Device or Hinge Stile assembly for RHR Device	
4270902776	P28
4270902778	P13
4270902779	P35
CASE.223	US26D

36 Lever Arm LH

Part No.	Finish
LH = Lock Stile Lever Arm for LHR Device or Hinge Stile Lever Arm for RHR Device	
4270902799	P28
4270902802	P13
4270902803	P35
LARM.180	US26D

38 Housing Assembly

Part No.	Finish
(Includes housing, retainer spring, retainer, dog screw and mounting screws)	
4270902787	P28
4270902789	P13
4270902790	P35
HOUSING.231	US26D

35 End Case Assy RH

Part No.	Finish
RH = Lock Stile assembly for RHR Device or Hinge Stile assembly for LHR Device	
4270902782	P28
4270902784	P13
4270902785	P35
CASE.222	US26D

37 Lever Arm RH

Part No.	Finish
RH = Lock Stile Lever Arm for RHR Device or Hinge Stile Lever Arm for LHR Device	
4270902805	P28
4270902808	P13
4270902809	P35
LARM.188	US26D

39 Crossbar 41"

Part No.	Finish
4270900091	US28
4270900094	DC13
4270900095	DC35

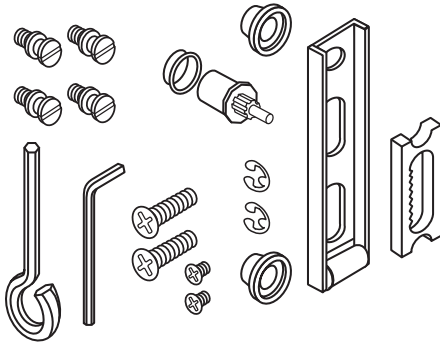
Crossbar 48"

Part No.	Finish
CBAR.101	US28
CBAR.116	DC13
CBAR.135	DC35

REFERENCE NOTE:

1990/2090 Lever Arms & Housing Assemblies in US finishes are not compatible with 990/1090 components. Replace with appropriate end case assembly or active housing assembly.

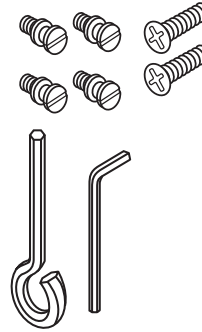
990 and 1990 Auxiliary Pkg.



Part Number

4270902091	US32D
4270902095	DC35
4270902779	P35

1090 and 2090 Auxiliary Pkg.



Part Number

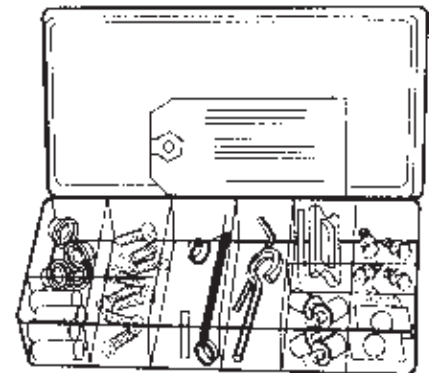
4270902121	US32D
4270902125	DC35

Panic Device Repair Kit

Complete Repair Kit	4270100583
Maintenance Kit Box only	4270100582

Kit Includes:

	Part Number	Description	Replacement Pkg.	
12	RING.108	Retaining Rings	RRING.109	(pkg/25)
6	4270100130	1/4-20 x 3/8 Set Screws	SCREW.1030	(pkg/25)
6	BUSH.108	Bearing Bushing	BUSH.109	(pkg/10)
8	4270101753	Tension Springs	SPRING.103	(pkg/10)
2	4270100153	Dogging Screws	SCREW.1022	(pkg/25)
10	963128-00	10-32 x 1/4 UFPH MS	SCREW.1028	(pkg/10)
6	4299100213	1/4-20 x 1" FPH MS	SCREW.1027	(pkg/10)
3	4270100152	Spring Pins	PIN.104	(pkg/10)
1	4270100116	Dogging Key	KEY.101	(pkg/10)
1	963100-00	1/8" Allen Wrench	WRENCH.101	(pkg/10)
3	4270100110	Retractor	RETRACT.101	(pkg/10)
4	4270903177	Pinion Cams	CAM.102	(pkg/10)
8	4230100017	Center Case Mounting Studs	STUD.101	(pkg/10)
8	4270100151	Tension Springs	SPRING.102	(pkg/10)
6	4270101778	Axle Bushings	BUSH.103	(pkg/25)
3	4270108353	PB48 Strike US32D		each
4	4270100663	Cylinder Bushings	BUSH.102	(pkg/10)
1	4270100013	Lift Bracket Assy		each
4	4270106997	Axle Pins	PIN.115	(pkg/10)
2	4270100026	3/16 x 13/16 Roll Pins	PIN.109	(pkg/10)
2	4270100075	3/16 x 9/16 Roll Pins	PIN.110	(pkg/10)
1	4270100299	Dogging Key Tag		each
12	4299100997	Retaining Rings	RRING.103	(pkg/25)
1	4270100582	Maintenance Kit Box		each
8	4270101782	1990 Spring Retainer	RETAIN.102	(pkg/25)
3	4270106349	SU Latchbolt		EACH



**Parts Kit For Easy Servicing
of 1990 Devices**