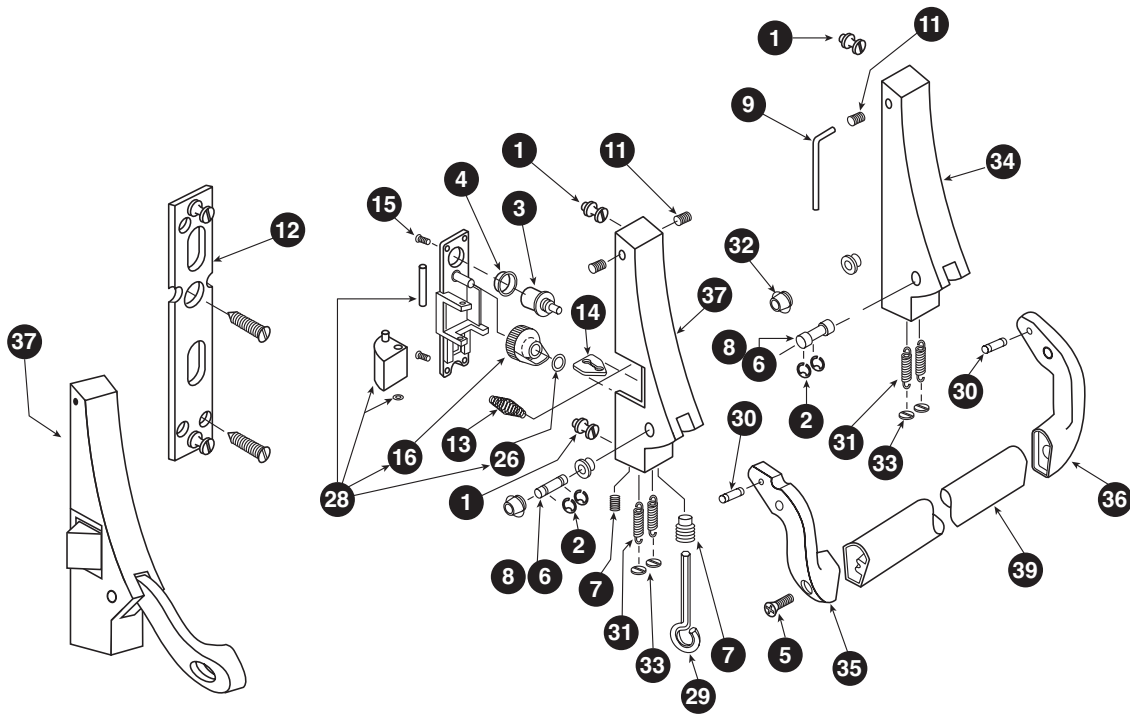


2090 Series Exploded View And Parts List

(For Devices Furnished After 5/1/77)



Left Hand Reverse Shown

EXITS

Crossbars

Narrow Stile

2090 Series

(For Devices Furnished After 5/1/77)

	Part No.	Description	Finish	Pkg. Qty
1	STUD.101	Case Mounting Stud	-	10
2	RRING.103	Retaining Ring .250	-	10
3	CAM.102	Pinion Cam	-	10
	4270903177	Pinion Cam	-	each
4	BUSH.102	Cylinder Bushing	-	10
5	SCREW.1027	1/4-20 1" FPHTC TYP23	US32D	10
	SCREW.1015	1/4-20 1" FPHTC TYP23	BLACK	10
6	PIN.106	1090 Axle Pin	SS	10
	PIN.115	2090 Axle Pin	US32D	10
	PIN.116	Latch Pivot Pin	-	10
7	SCREW.1022	Dog Screw	-	25
9	WRENCH.101	Allen Wrench	-	10
11	SCREW.1030	1/4-20 3/8" Hex Soc Set Screw	US32D	25
	SCREW.1039	1/4-20 3/8" Hex Soc Set Screw	BLACK	25
12	4270100304	Adapter Plate Assembly	-	2
13	SPRING.104	Latch Spring	-	10
14	4270101840	Latch Link	-	each
15	SCREW.1031	4-40 3/8" FL Posi-Drive Screw	-	10
16	RETRACT.102	Latchbolt Retractor	-	10
26	RRING.102	Retaining Ring .240	-	10
28	4270902968	2090 Backplate Assembly LHR	-	each
	4270902974	2090 Backplate Assembly RHR	-	each
29	KEY.101	Hex Dogging Key	-	10
	4270100312	Crossbar Tie Rod	-	each
30	PIN.104	Spring Pin	-	10
	SPRING.103	Tension Spring	-	10
32	BUSH.103	Axle Bushing	-	25
33	RETAIN.102	Spring Retainer	-	25

EXITS

Crossbars

Narrow Stile

2090 Series

2090 Series

(For Devices Furnished After 5/1/77)

34 End Case Assy LH

Part No.	Finish
LH = Hinge Stile assembly for RHR Device	
4270902776	P28
4270902778	P13
4270902779	P35
CASE.223	US26D

35 Lever Arm LH - Active

Part No.	Finish
LH = Lock Stile Lever Arm for LHR Device	
4270902763	P28
4270902766	P13
4270902767	P35
LARM.216	US26D

36 Lever Arm LH - End Case

Part No.	Finish
LH = Hinge Stile assembly for RHR Device	
4270902799	P28
4270902802	P13
4270902803	P35
LARM.180	US26D

35 End Case Assy RH

Part No.	Finish
RH = Hinge Stile assembly for LHR Device	
4270902782	P28
4270902784	P13
4270902785	P35
CASE.222	US26D

35 Lever Arm RH - Active

Part No.	Finish
RH = Lock Stile Lever Arm for RHR Device	
4270902769	P28
4270902772	P13
4270902773	P35
LARM.205	US26D

36 Lever Arm RH - End Case

Part No.	Finish
RH = Hinge Stile assembly for LHR Device	
4270902805	P28
4270902808	P13
4270902809	P35
LARM.188US26D	190.00

REFERENCE NOTE:

1990/2090 Lever Arms & Housing Assemblies in US finishes are not compatible with 990/1090 components. Replace with appropriate end case assembly or active housing assembly.

(For Devices Furnished After 5/1/77)

37 Active Housing Assembly LH

Part No.	Finish
LH = Hinge Stile assembly for RHR Device	
4270902740	P28
4270902742	P13
4270902743	P35
CASE.243	US26D

39 Crossbar 41"

Part No.	Finish
4270900091	US28
4270900094	DC13
4270900095	DC35

37 Active Housing Assembly RH

Part No.	Finish
RH = Lock Stile assembly for RHR Device	
4270902746	P28
4270902748	P13
4270902749	P35
CASE.229	US26D

Crossbar 48"

Part No.	Finish
CBAR.101	US28
CBAR.116	DC13
CBAR.135	DC35