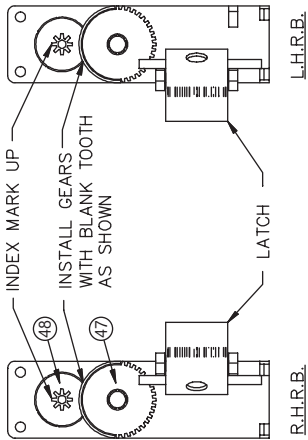
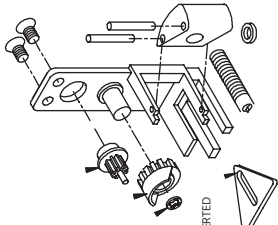


# 1095P RIM EXIT DEVICE - PADDLE

ORIENTATION OF THE BACK PLATE GEAR ASSEMBLY  
FOR R.H.R.B. DOORS



40 R.H.R.B.  
L.H.R.B. - (NOT SHOWN)



MUST BE INSERTED  
AS SHOWN

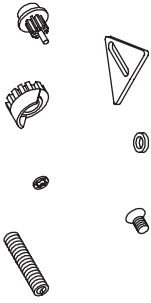
⑪

BACK PLATE SUB-ASSY R.H.R.B.

⑫

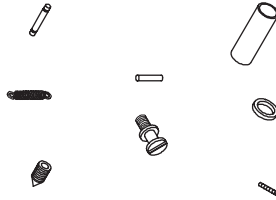
BACK PLATE SUB-ASSY L.H.R.B.  
(Opposite - Not Shown)

⑬  
BACK PLATE HARDWARE PACKAGE



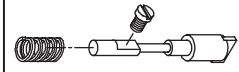
⑩

BODY HARDWARE PACKAGE



⑮

30-1117  
OPTIONAL  
DOGGING PIN  
THUMBTURN  
ASSEMBLY



⑤ PUSH PADDLE ASSY  
R.H.R.B.

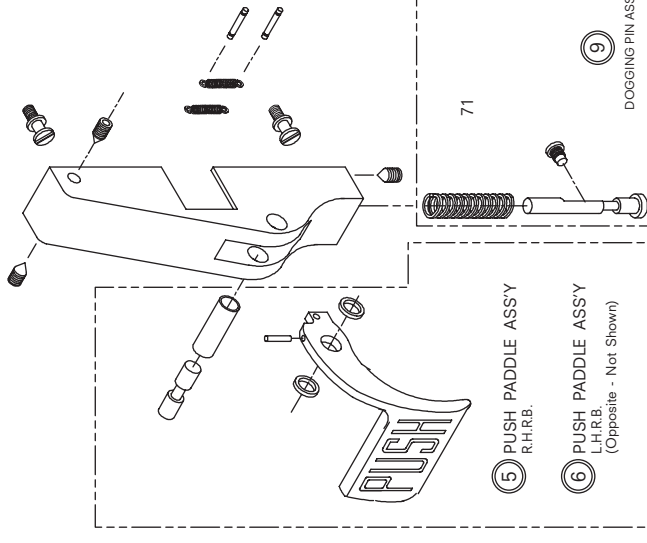
⑥ PUSH PADDLE ASSY  
L.H.R.B.  
(Opposite - Not Shown)

① BODY & PADDLE ASSEMBLY - RHRB

② BODY & PADDLE ASSEMBLY - LHRB  
(Opposite - Not Shown)

⑨

DOGGING PIN ASSY



71

ASSEMBLY NO.	PART NO.	DESCRIPTION	FINISH
1	30-998	BODY & PADDLE ASSEMBLY - RHRB	US28 / 628 DBZ 313 BLK 335
3	30-999	BODY & PADDLE ASSEMBLY - LHRB	US28 / 628 DBZ 313 BLK 335
5	30-1245	PUSH PADDLE ASSEMBLY - RHRB	US28 / 628 DBZ 313 BLK 335
6	30-1246	PUSH PADDLE ASSEMBLY - LHRB	US28 / 628 DBZ 313 BLK 335
9	30-1115	DOGGING PIN ASSEMBLY	
10	30-851	BODY HARDWARE PACKAGE	
11	30-846	BACK PLATE GEAR ASSEMBLY - RHRB	US28 / 628 DBZ 313 BLK 335
12	30-847	BACK PLATE GEAR ASSEMBLY - LHRB	US28 / 628 DBZ 313 BLK 335
13	30-852	BACK PLATE HARDWARE PACKAGE	
15	30-1117	DOGGING PIN ASSEMBLY - THUMBTURN (Optional)	US28 / 628 DBZ 313 BLK 335