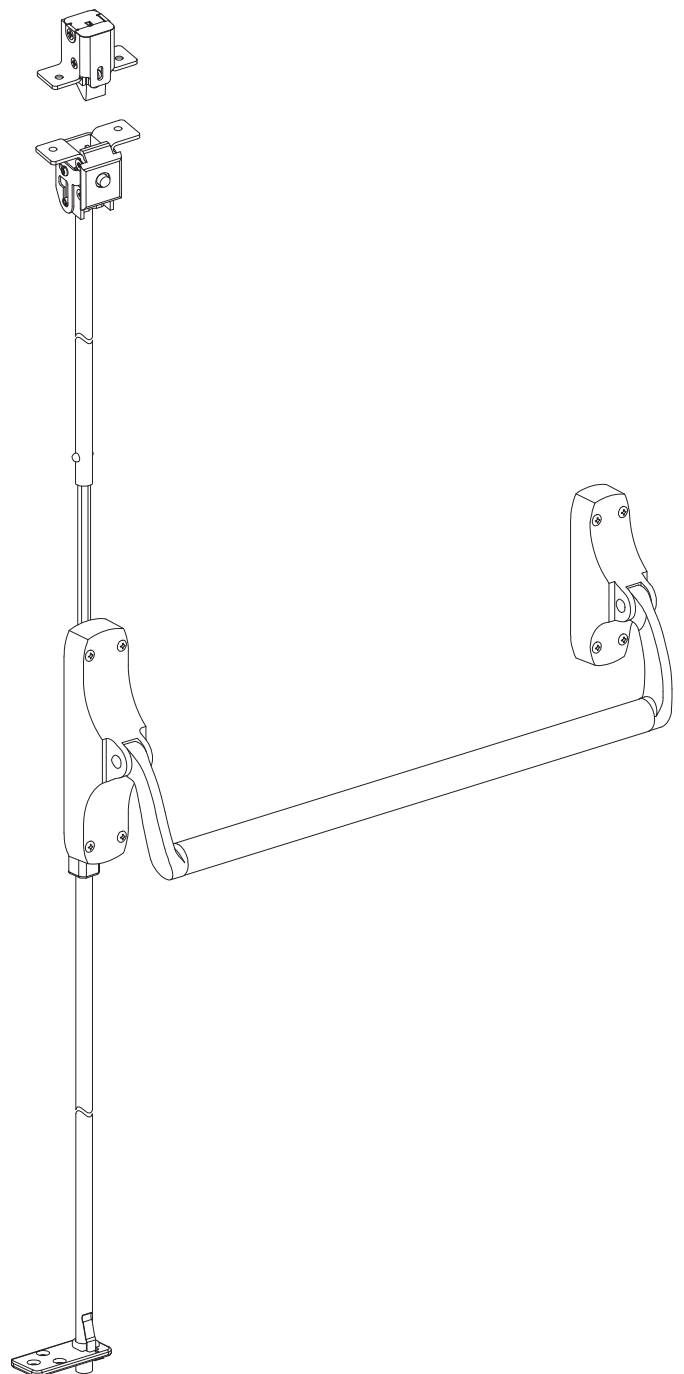


**VON DUPRIN®**

8847-F  
Concealed  
Vertical Rod  
Exit Devices

Service manual



# INDEX

## General Information

Introduction .....	2
How to Order .....	2
Part Number Changes .....	2
8847-F Series Finishes .....	3
Outside Trim Functions .....	3
Strikes .....	3

## 8847-F Series Device Parts

Crossbars .....	4
Lever Arm Kits .....	4
Lever Arm Parts Packages .....	5
End Case Kit and End Case Parts .....	6
Center Case Kits and Center Case Parts .....	7
Vertical Latch Parts .....	8
Vertical Rods .....	8

# INTRODUCTION

This manual contains a listing of replaceable parts and assemblies for the 8847-F Series Devices.

# HOW TO ORDER

Some parts are sold separately. Other items are available as part of a kit or multiple quantity package. For the best possible service when ordering replacement parts or assemblies, please provide the following information:

- Part number or assembly number
- Description
- Quantity needed
- Finish desired (if available finished)
- Date of original purchase (if known)

To find out the name of your local Von Duprin distributor or sales representative, contact:

Von Duprin Division  
Allegion  
2720 Tobey Drive  
Indianapolis, Indiana 46219  
Phone: (877) 671-7011

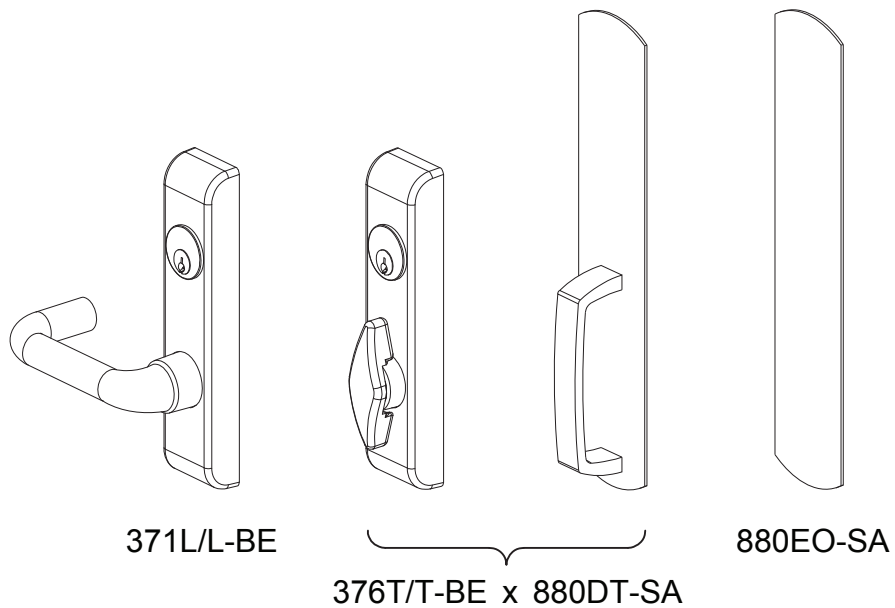
# PART NUMBER AND AVAILABILITY CHANGES

This manual was designed to help illustrate the replacement parts and kits that are available for sale. Because of changes to the product and/or manufacturing process, part numbers and availability can change over time.

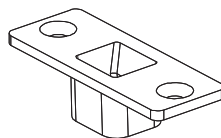
## 8847-F SERIES FINISHES

US Number	BHMA Number	Color
US3	605	Brass, polished
US3A	---	Brass, polished - no lacquer
US4	606	Brass, satin
US4A	---	Brass, satin - no lacquer
US10	612	Bronze, satin
US10B	613	Bronze, oil-rubbed satin
US26	625	Chrome, polished
US26D	626	Chrome satin
SPBLK	693	Black, painted

## OUTSIDE TRIM FUNCTIONS



## STRIKES

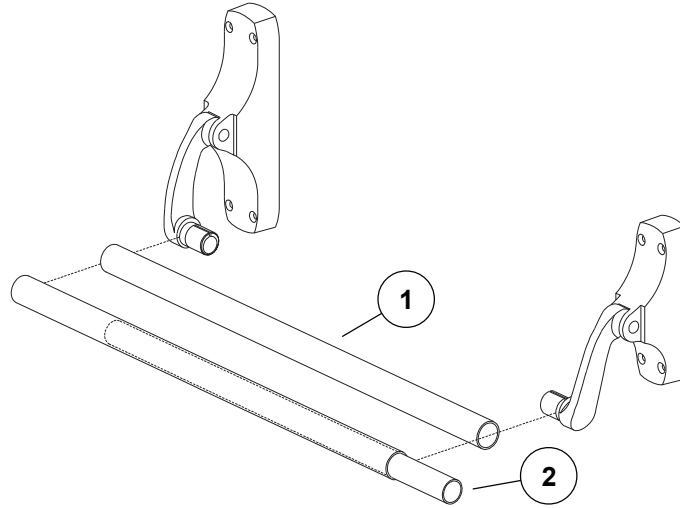


301L (bottom)

## CROSSBARS

Item No.	Quantity	Part No.	Description	Finish
1	1	050004	42" Standard Crossbar Kit	X
1	1	050005	42" Knurled Crossbar Kit	X
2	1	050459	37" Crossbar Reinforcement Kit	

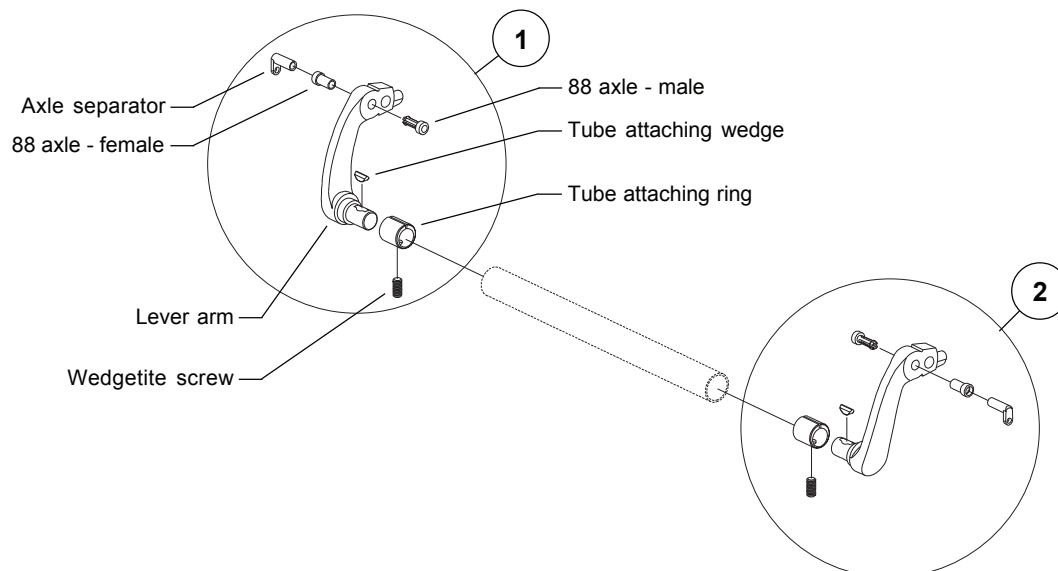
X in "Finish" column designates finished item; specify finish when ordering.



## LEVER ARM KITS

Item No.	Quantity	Part No.	Description	Finish
1	1	050443	8827-F/47-F LH Lever Arm Kit	X
2	1	050442	8827-F/47-F RH Lever Arm Kit	X

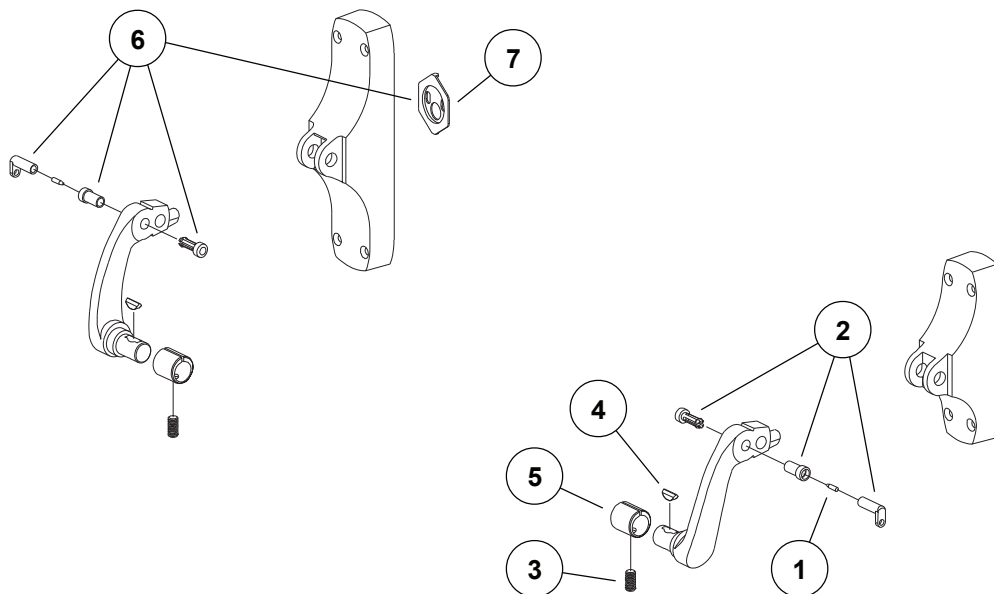
X in "Finish" column designates finished item; specify finish when ordering.



## LEVER ARM PARTS PACKAGES

Item No.	Quantity	Part No.	Description	Finish
1	2	090007	Axle Security Pin (Pkg of 10)	
1	2	033022	Axle Security Pin (Pkg of 50)	
2	2	090006	88 Lever Arm Axles (Pkg of 2)	
			88 Axle Separator	
			88 Axle - Male	
			88 Axle - Female	
2	2	090082	88 Lever Arm Axles (Pkg of 10)	
			88 Axle Separator	
			88 Axle - Male	
			88 Axle - Female	
3	2	090008	Wedgetite Screws (Pkg of 2)	
3	2	090081	Wedgetite Screws (Pkg of 30)	
4	2	090020	Crossbar Tube Attaching Wedge (Pkg of 2)	
5	2	090021	Crossbar Tube Attaching Ring (Pkg of 2)	
6	1	103865	88 Lever Arm Axle Pkg	
			Cylinder Anchor Plate	
			88 Axle Separator	
			88 Axle - Male	
			88 Axle - Female	
7	1	050331	88 Cylinder Anchor Plate	

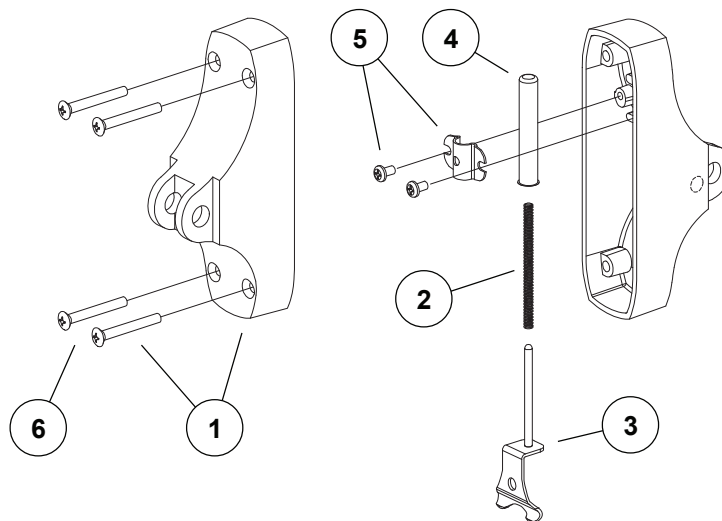
X in "Finish" column designates finished item; specify finish when ordering.



## END CASE KIT AND END CASE PARTS

Item No.	Quantity	Part No.	Description	Finish
1	1	050436	8827-F/8875-F/8847-F End Case Kit	X
			88SV/CV/M-F End Case	
			10-24 x 1-1/2" OPHMS (Qty 4)	
			10-24 x 2" OPHMS (Qty 4)	
			10-12 x 10-24 x 2" OPHCS (Qty 4)	
2	1	090003	88 End Case Spring (Pkg of 2)	
2	1	090080	88 End Case Spring (Pkg of 10)	
3	1	050451	88 End Case Spring Stop Kit	
4	1	050476	88/88-F End Case Spring Tube	
5	1	050477	88/88-F Spring Tube Bracket w/ Screws Kit	
			88/88-F Spring Tube Bracket	
			88/88-F Spring Tube Bracket Screws (Qty 2)	
6	2	900503	88 Center or End Case Mtg. Pkg. (CS and MS screws)	X
			10-24 x 1-1/2" OPHMS (Qty 4)	
			10-24 x 2" OPHMS (Qty 4)	
			10-12 x 10-24 x 2" OPHCS (Qty 4)	
6	2	900504	88 Center or End Case Mtg. Pkg. (CS screws)	X
			10-12 x 10-24 x 2" OPHCS (Qty 4)	
6	2	900505	88 Center or End Case Mtg. Pkg. (MS screws 1-3/4" door)	X
			10-24 x 1-1/2" OPHMS (Qty 4)	
6	2	900506	88 Center or End Case Mtg. Pkg. (MS screws 2-1/4" door)	X
			10-24 x 2" OPHMS (Qty 4)	

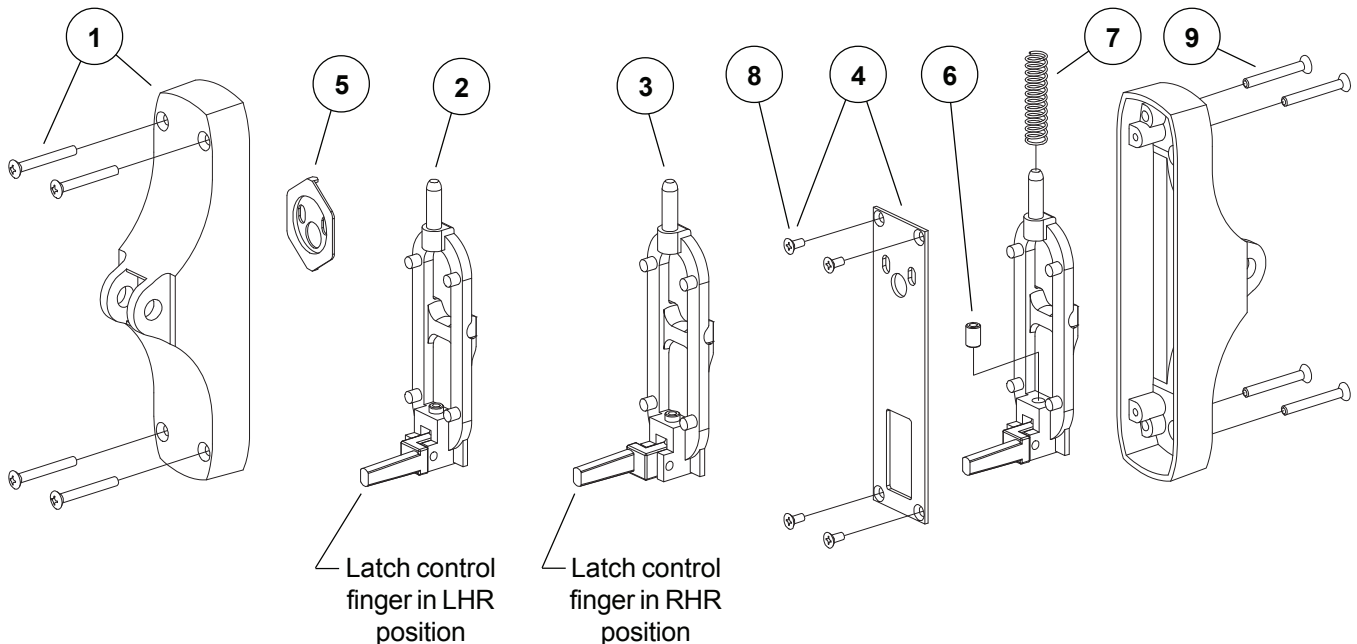
X in "Finish" column designates finished item; specify finish when ordering.



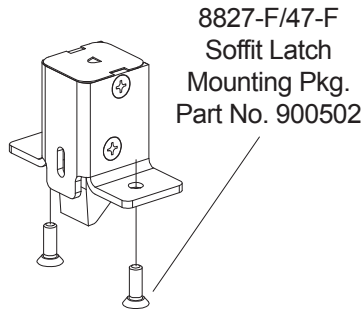
# CENTER CASE KITS AND CENTER CASE PARTS

Item No.	Quantity	Part No.	Description	Finish
1	1	050422	8847-F RHR Center Case Kit	X
1	1	050423	8847-F LHR Center Case Kit	X
2	1	050209	8847-F/75/75-F Latch Control LH	
3	1	050210	8847-F/75/75-F Latch Control RH	
4	1	050211	8847-F/75/75-F Backplate w/ Screws	
5	1	050331	88 Cylinder Anchor Plate	
6	1	090013	8847-F/75-F Flat Point Set Screw (Pkg of 5)	
7	1	090014	8847-F/75/75-F Center Case Spring (Pkg of 2)	
8	1	900615	8827 Backplate Screw Pkg. (Qty 4)	
9	2	900503	88 Center or End Case Mtg. Pkg. (CS and MS screws)	X
			10-24 x 1-1/2" OPHMS (Qty 4)	
			10-24 x 2" OPHMS (Qty 4)	
			10-12 x 10-24 x 2" OPHCS (Qty 4)	
9	2	900504	88 Center or End Case Mtg. Pkg. (CS screws)	X
			10-12 x 10-24 x 2" OPHCS (Qty 4)	
9	2	900505	88 Center or End Case Mtg. Pkg. (MS screws 1-3/4" door)	X
			10-24 x 1-1/2" OPHMS (Qty 4)	
9	2	900506	88 Center or End Case Mtg. Pkg. (MS screws 2-1/4" door)	X
			10-24 x 2" OPHMS (Qty 4)	

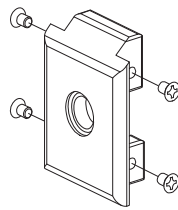
X in "Finish" column designates finished item; specify finish when ordering.



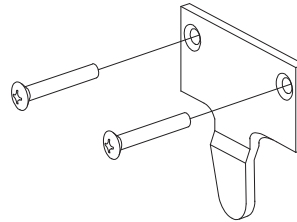
## VERTICAL LATCH PARTS



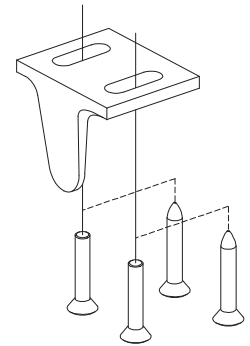
8827-F/47-F  
Soffit Latch  
Mounting Pkg.  
Part No. 900502



8847-F Release Guide  
Cover with Screws  
Part No. 050278  
(specify finish)



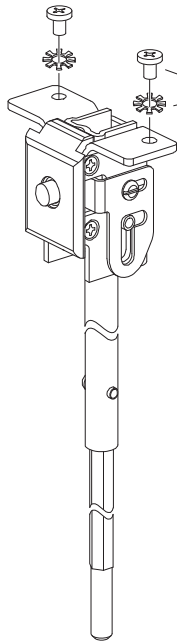
8847-F Flush Transom  
Release Bracket Pkg.  
Part No. 900614  
(specify finish)



8847-F Plunger Release  
Bracket Pkg.  
Part No. 900576  
(specify finish)

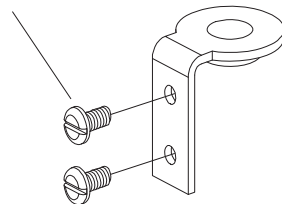
8827-F/47-F Soffit  
Latch Kit  
(includes screws)  
Part No. 114141

## VERTICAL RODS

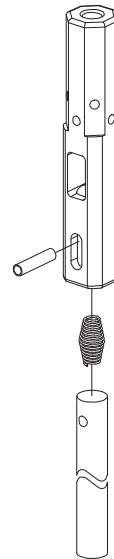


8847-F Rod Guide Mtg.  
Screws Pkg. of 10  
Part No. 090018

8847-F Rod Set  
Mounting Package  
Part No. 900541



8847-F Rod Guide Kit  
(includes screws)  
Part No. 105140



8847-F Bottom Rod Kit  
Part No. 050458

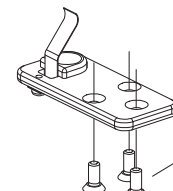
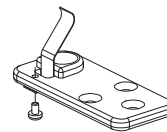
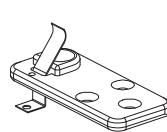
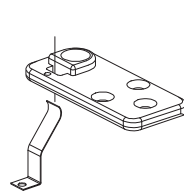


8847-F Extension Rod Kit  
8' - 10' Door  
Part No. 051705

8847-F Top Rod Kit  
(includes screws)  
6'-8" - 8' Door  
Part No. 050457 (specify finish)



8847-F Rod  
Connector Rivet  
Pkg. of 10  
Part No. 090011



Assembly Procedure (LHR shown)  
8847-F Bottom Guide Pkg.  
Part No. 100741

installation  
screws  
included





## About Allegion

Allegion (NYSE: ALLE) creates peace of mind by pioneering safety and security. As a \$2 billion provider of security solutions for homes and businesses, Allegion employs more than 7,800 people and sells products in more than 120 countries across the world. Allegion comprises 23 global brands, including strategic brands CISA®, Interflex®, LCN®, Schlage® and Von Duprin®.

For more, visit [www.allegion.com](http://www.allegion.com).

*aptiQ* ■ LCN ■ **SCHLAGE** ■ STEELCRAFT ■ VON DUPRIN